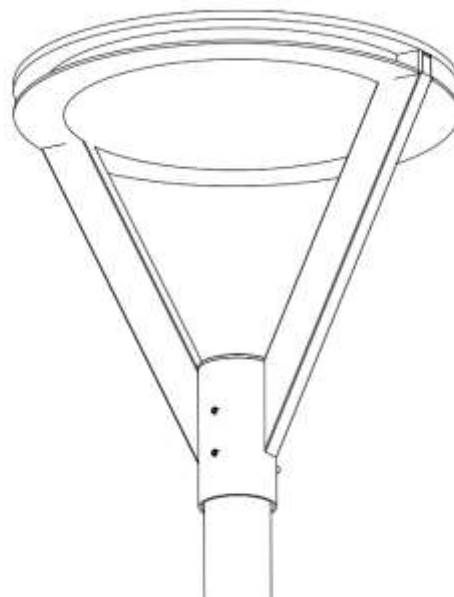


# Technical Data Sheet

## Plain I Retro



### Product description

Housing made from aluminum to maximize heat dissipation and service life. Durable powder coating (default color DB 703). Mounting options: top mounting on a pole (single- or double-leg bracket which in its standard version fits 60 or 76 mm diameter poles) or hanging from a wire. Cover made from Opal glass for low glare. Fasteners made from stainless steel. Direct on-board power supply unit with long service life.

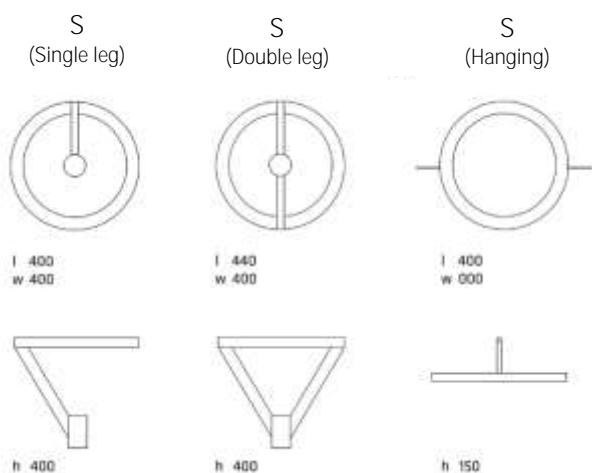
### Technical description

Mains voltage	230 V AC, 50 Hz
Connection	5-pole connector
Electrical efficiency	Over 80 %
Protection class	SK II, SK I
Surge protection	3-6 kV
Protection rating	IP 65
Impact protection	IK 08
LED module cover	PMMA
Color rendering index	Over 70
Color temperature	3000 / 4000
Lifetime (L80, B10)	Up to 50.000 h

Velikost	Diode	mA	lm	W	kg
S	180	450	1.751	22	3,5/4,8

\* Please note, that a dot (.) is used as the thousands separator and a comma (,) as the decimal separator throughout.

### Dimensions



### Optics



## Product code

The technical specifications of the luminaire are determined through the combination of 10 categories which result in a unique 16-digit product code.

Category	Value		Code
Model	Plain I Retro		PR1
Size	S		1
Power and lumens (size dependent)	S	22 W (1.751 lm)	022
Dimming	Standard		0
Optics	00		AA
Color temperature	3000 K		30
	4000 K		40
Installation	Top		T
	Hanging		H
Fi	0 mm (hanging installation)		0
	60 mm		1
	76 mm		2
Housing color	DB 703		1
	DB 701		9
	RAL 7016		4
	RAL 9005		7
	RAL 9006		3
	None (Hang)		0
Options	Bracket Side I		1
	Bracket Side II		2

## Recommended configuration

### Plain I Retro S

Luminaire with a power consumption of 22 W that produces a luminous flux of 1.751 lm. Standard dimming, 00 optics, color temperature of 4000 K and DB 703 housing color, to be mounted on a 60 mm diameter pole with Side-I style bracket.

Šifra: PR1102200040T111